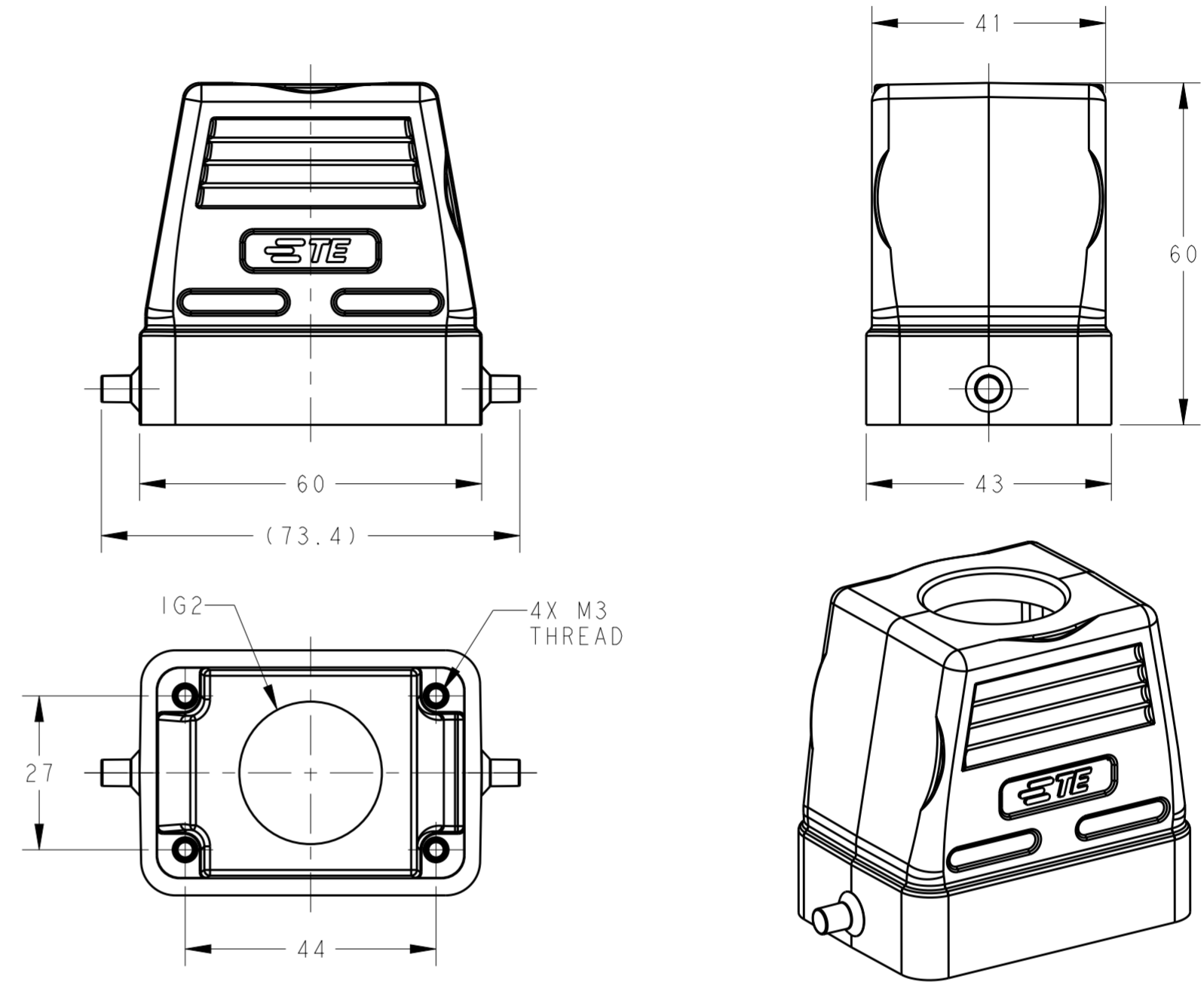
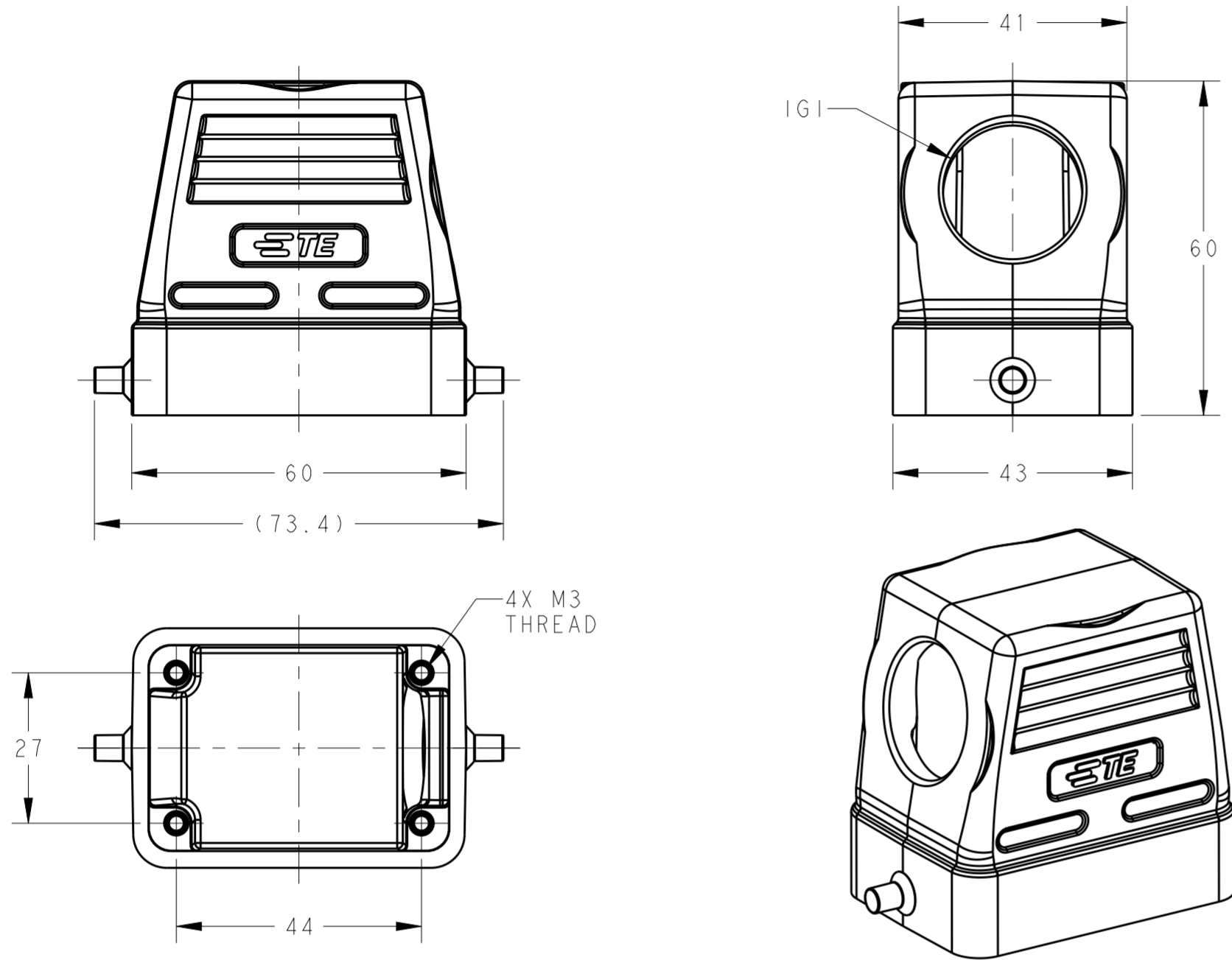


THIS DRAWING IS UNPUBLISHED. RELEASED FOR PUBLICATION 20  
 © COPYRIGHT 20 BY - ALL RIGHTS RESERVED.

REVISIONS				
P	LTR	DESCRIPTION	DATE	APVD
	A	INITIAL	05JUN2015	DW CW

TYPE 1: LOW CONSTRUCTION, SIDE ENTRY

TYPE 2: LOW CONSTRUCTION, TOP ENTRY



NOTES:  
 I. TECHNICAL CHARACTERISTICS:  
 HOOD MATERIAL: DIE CAST ALUMINIUM ALLOY  
 SURFACE: POWDER COATED, GREY  
 OPERATION TEMPERATURE: -40-+125°C  
 DEGREE OF PROTECTION: IP65 (MATED)

注释:  
 I. 技术参数:  
 上壳材料: 铝合金  
 表面处理: 粉末涂层, 灰色  
 工作温度: -40-+125°C  
 防护等级: IP65(配合)

T1310060105-000	TYPE 1	H6B-TS-G1/2	G1/2	-
T1310060111-000		H6B-TS-PG11	PG11	-
T1310060113-000		H6B-TS-PG13.5	PG13.5	-
T1310060116-000		H6B-TS-PG16	PG16	
T1310060120-000		H6B-TS-M20	M20	
T1310060121-000		H6B-TS-PG21	PG21	
T1310060125-000	H6B-TS-M25	M25	-	
T1320060113-000	TYPE 2	H6B-TG-PG13.5	-	PG13.5
T1320060116-000		H6B-TG-PG16	-	PG16
T1320060120-000		H6B-TG-M20	-	M20
T1320060121-000		H6B-TG-PG21	-	PG21
T1320060125-000		H6B-TG-M25	-	M25
T1320060132-000		H6B-TG-M32	-	M32
PART NUMBER	TYPE	DESCRIPTION	IG1	IG2

THIS DRAWING IS A CONTROLLED DOCUMENT.

DWN David Wang 05JUN2015  
 CHK Chris Wang 05JUN2015  
 APVD Xiang Xu 05JUN2015

**STE** TE Connectivity

NAME H6B-TS/TG/TSH/TGH-M/PG

PRODUCT SPEC 108-137013  
 APPLICATION SPEC 114-137013

SIZE A2 CAGE CODE 00779 DRAWING NO. T13X00601XX000 RESTRICTED TO -

MATERIAL - DIMENSIONS: mm TOLERANCES UNLESS OTHERWISE SPECIFIED: 0 PLC ±, 1 PLC ±, 2 PLC ±, 3 PLC ±, 4 PLC ±, ANGLES ±, FINISH -

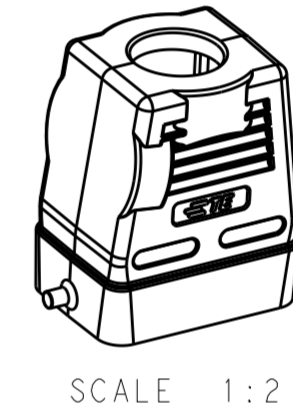
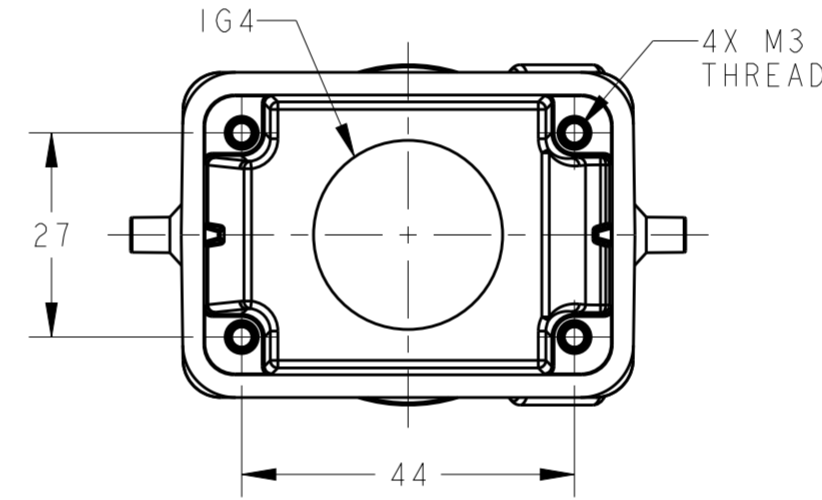
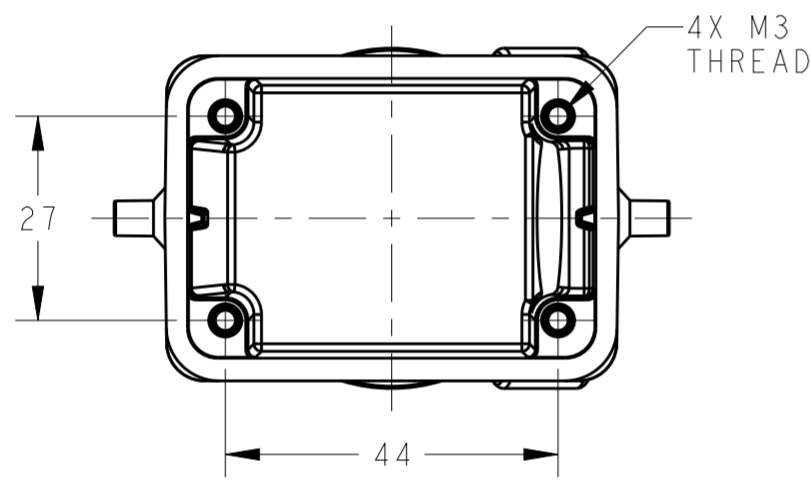
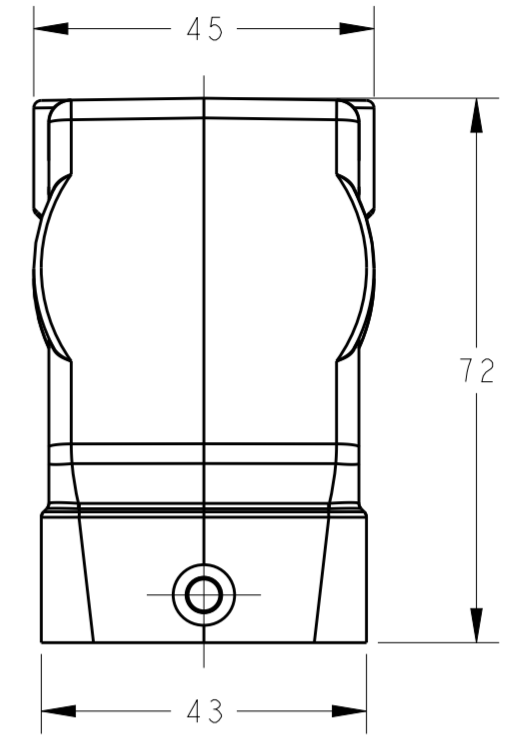
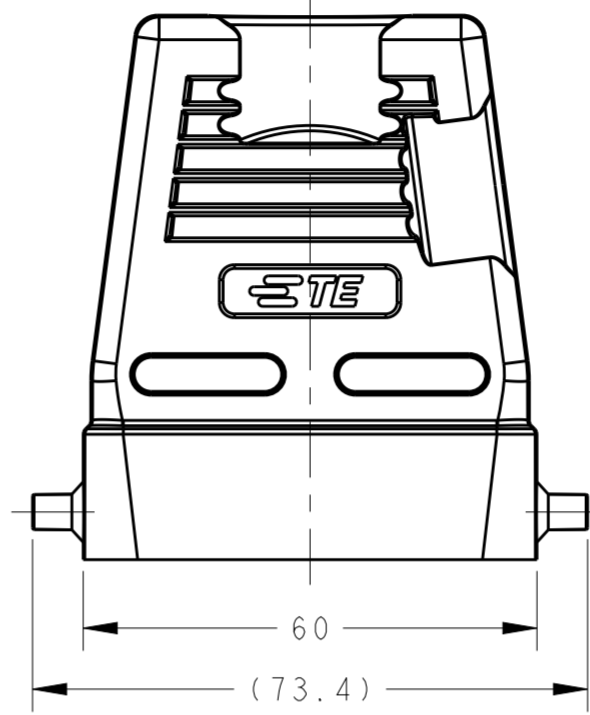
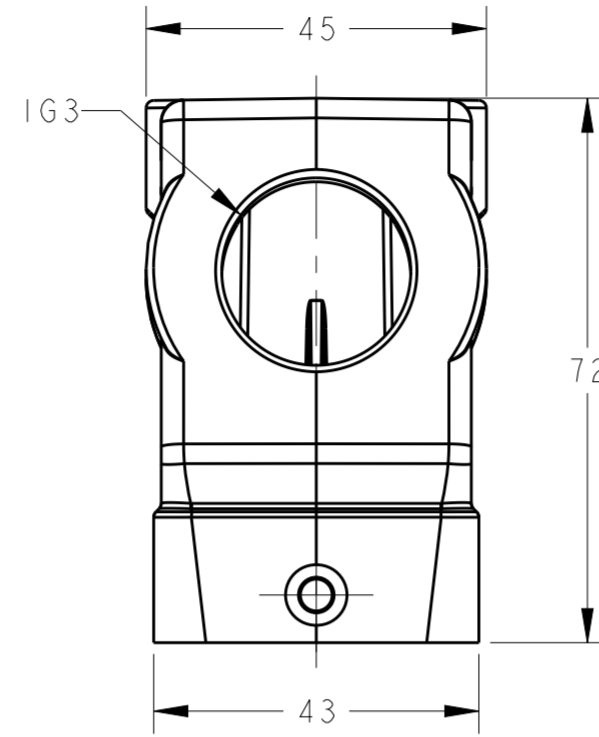
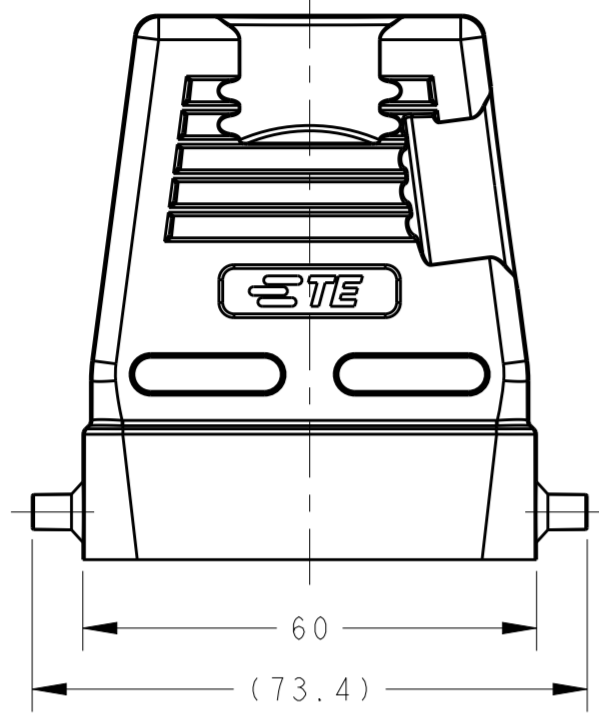
WEIGHT - Customer Drawing SCALE 1:1 SHEET 1 OF 2 REV A

THIS DRAWING IS UNPUBLISHED. RELEASED FOR PUBLICATION 20  
 © COPYRIGHT 20 BY - ALL RIGHTS RESERVED.

REVISIONS				
P	LTR	DESCRIPTION	DATE	APVD
-		SEE SHEET 1	-	-

TYPE 3: HIGH CONSTRUCTION  
SIDE ENTRY

TYPE 4: HIGH CONSTRUCTION  
TOP ENTRY



NOTES:  
SEE SHEET 1

T1330060113-000	TYPE 3	H6B-TSH-PG13.5	PG13.5	-
T1330060116-000		H6B-TSH-PG16	PG16	-
T1330060120-000		H6B-TSH-M20	M20	-
T1330060121-000		H6B-TSH-PG21	PG21	-
T1330060125-000		H6B-TSH-M25	M25	-
T1330060129-000		H6B-TSH-PG29	PG29	-
T1330060132-000		H6B-TSH-M32	M32	-
T1340060120-000	TYPE 4	H6B-TGH-M20	-	M20
T1340060121-000		H6B-TGH-PG21	-	PG21
T1340060125-000		H6B-TGH-M25	-	M25
T1340060129-000		H6B-TGH-PG29	-	PG29
T1340060130-000		H6B-TGH-M30	-	M30
T1340060132-000		H6B-TGH-M32	-	M32
T1340067134-000		H6B-TGH-NPT3/4	-	NPT3/4
PART NUMBER	TYPE	DESCRIPTION	IG3	IG4

THIS DRAWING IS A CONTROLLED DOCUMENT.

DWN David Wang 05JUN2015  
 CHK Chris Wang 05JUN2015  
 APVD Xiang Xu 05JUN2015

**STE** TE Connectivity

NAME H6B-TS/TG/TSH/TGH-M/PG

PRODUCT SPEC 108-137013  
 APPLICATION SPEC 114-137013

SIZE A2 CAGE CODE 00779 DRAWING NO. C-T13X00601XX000 RESTRICTED TO -  
 WEIGHT - SCALE 1:1 SHEET 2 OF 2 REV A

Customer Drawing